



**ELIT**

## Air-termination pole 4m w/side rod incl.

Air termination in stainless A2 steel, 4.0 m w/HVC flange, mounting brackets and side termination

### Technical description

Air-termination pole 4.0 m long with side air-termination rod 1.5 m long and HVC flange, including 2 x mounting brackets.

Material and dimensions of the air-termination rod: aluminum, Ø 10 mm, 0.2 m length.

Material and dimensions of the side termination rod: A2 steel/aluminum, Ø 20/16/10 mm, 1.5 m length.

Material and dimensions of the insulating support: Glass fiber reinforced plastic, Ø 48 mm, 1.7 m length.

Material and dimensions of the pole/mast: Stainless A2 steel, Ø 42 mm, 1.9 m length.

Mounting bracket: (2 x) Stainless A2 steel, Ø42mm clamping area and 150mm length.

Manufactured according to EN IEC 62561-2.

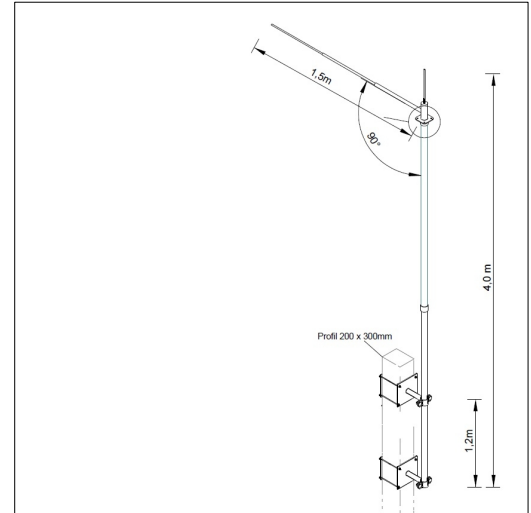
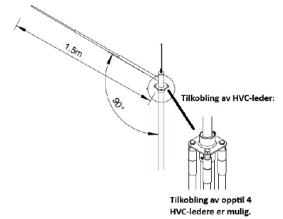
Total weight: Approx. 27 kg.

### Advantages:

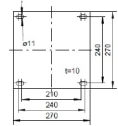
Air-termination pole 4.0m in stainless A2 steel and w/side termination rod 1.5m

Comes with HVC flange that enables installation of HVC conductors

Complete set including 2 x mounting brackets



Flensplate med dimensjoner 270 x 270 x 10mm, og 4 x Ø11mm hull.  
Inkl. 4 x anløstskruer M10 x 400 mm.



Product name/ Art.nr/ GTIN	ELIT VEGG-LOFSETT-4M-2F-HVC/ 40150171/ 7070810034161
According to:	DIN EN62561-2
Length	4000 Millimetre
Diameter	42 - 10 Millimetre
Model	Interception rod tapered
Material	Aluminium/stainless steel 304 (V2A)
Surface protection	Hot-dip galvanized
Connection	Round conductor